

## Nominal data

Type	4118 N/2H8P	
Nominal voltage	VDC	48
Nominal voltage range	VDC	36 .. 60
Speed	min <sup>-1</sup>	11000
Power input	W	120
Min. ambient temperature	°C	-20
Max. ambient temperature	°C	75
Air flow	m <sup>3</sup> /h	570
Sound power level	B	8.9
Sound pressure level	dB(A)	78

ml = Max. load · me = Max. efficiency · fa = Running at free air · cs = Customer specs · cu = Customer unit  
Subject to alterations

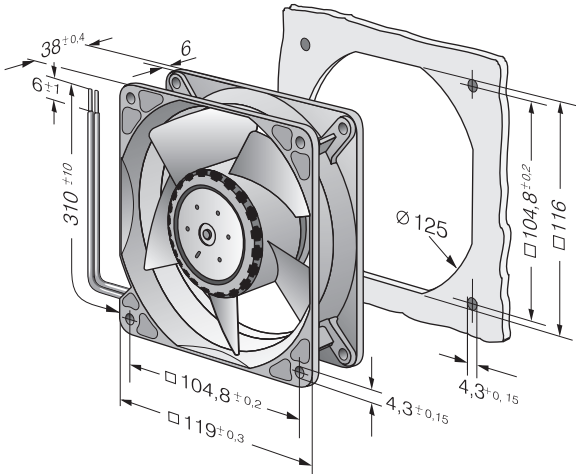
### Technical features

<b>General description</b>	Free air power consumption, these values may be considerably higher at the operating point.
<b>Impeller material</b>	Fibreglass-reinforced plastic (PA)
<b>Mass</b>	0.425 kg
<b>Dimensions</b>	119 x 119 x 38 mm
<b>Housing material</b>	Die-cast aluminium
<b>Direction of air flow</b>	Inlet over bars
<b>Direction of rotation</b>	Clockwise, looking at rotor
<b>Bearing</b>	Ball bearings
<b>Lifetime L10 at 40 °C</b>	55000 h
<b>Lifetime L10 at maximum temperature</b>	22500 h
<b>Connection line</b>	Single strands AWG 20, sensor and control strands AWG 22, UL 1007, TR 64, bared and tin-plated.
<b>Motor protection</b>	Protected against reverse polarity and locking.
<b>Option</b>	Other inputs and outputs. 36 to 72 VDC possible.

4118 N/2H8P

# DC axial compact fan

## Product drawing



Charts: Air flow

